

see what Delta can do™

## ELBOW

### FEATURES:

- Lumicoat® Finish (-PR models only)
- Lumicoat® Finishes easily wipe clean without cleaners and chemicals on the products most commonly touched areas

### STANDARD SPECIFICATIONS:

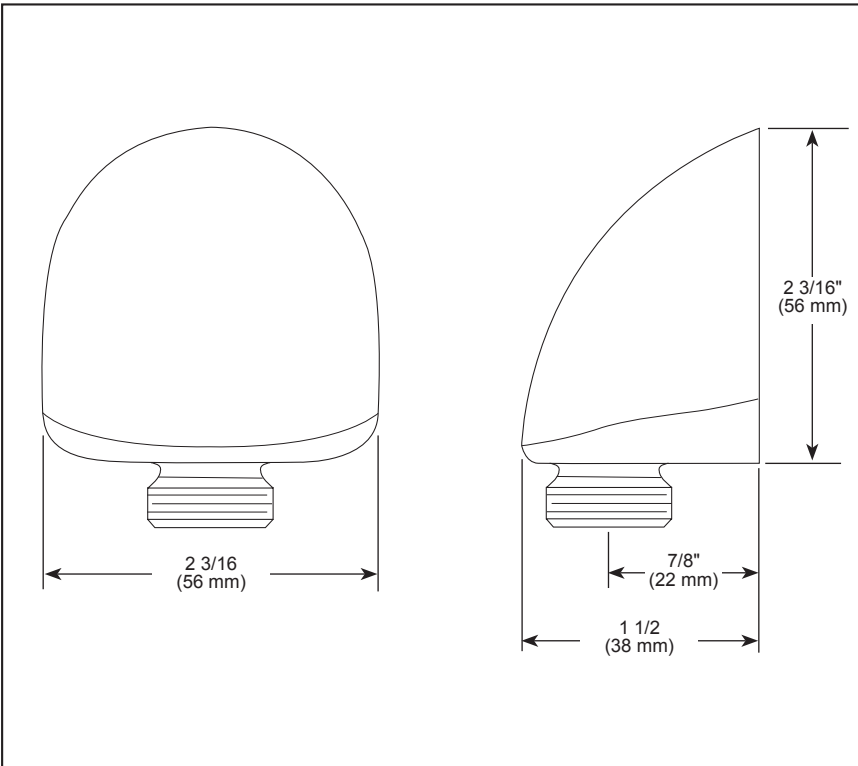
- Solid brass construction
- 1/2" female NPT inlet
- 1/2" male NPSM outlet for connecting to shower hoses

### WARRANTY:

- Parts and Finish – Lifetime limited warranty; or for commercial purchasers, 10 years for multi-family residential (apartments and condominiums) and 5 years for all other commercial uses, in each case from the date the product is received by the original purchaser or their authorized representative (installation contractor, etc.).
- Please go to [www.deltafaucet.com](http://www.deltafaucet.com) for the complete details of our limited warranty.

### COMPLIES WITH:

- ASME A112.18.1 / CSA B125.1



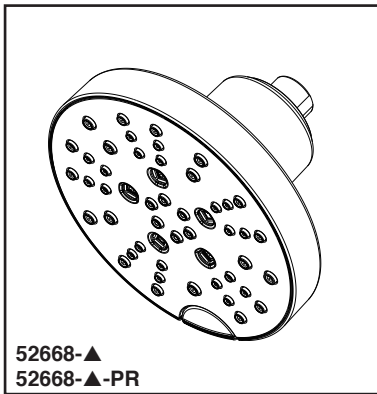
▲ Designate proper finish suffix

Delta Faucet Company reserves the right (1) to make changes in specifications and materials, and (2) to change or discontinue models, both without notice or obligation. Dimensions are for reference only. See current full-line price book or [www.deltafaucet.com](http://www.deltafaucet.com) for finish options and product availability.

DSP-B-50560 Rev. C

### Delta Faucet Company

55 E. 111th Street, Carmel, IN 46280  
350 South Edgeware Road, St. Thomas, ON N5P 4L1  
© 2025 Delta Faucet Company



see what Delta can do™

## H<sub>2</sub>OKINETIC® SHOWER HEAD

- 5-Spray Setting Shower Head
- Push Button Diverter

### FEATURES:

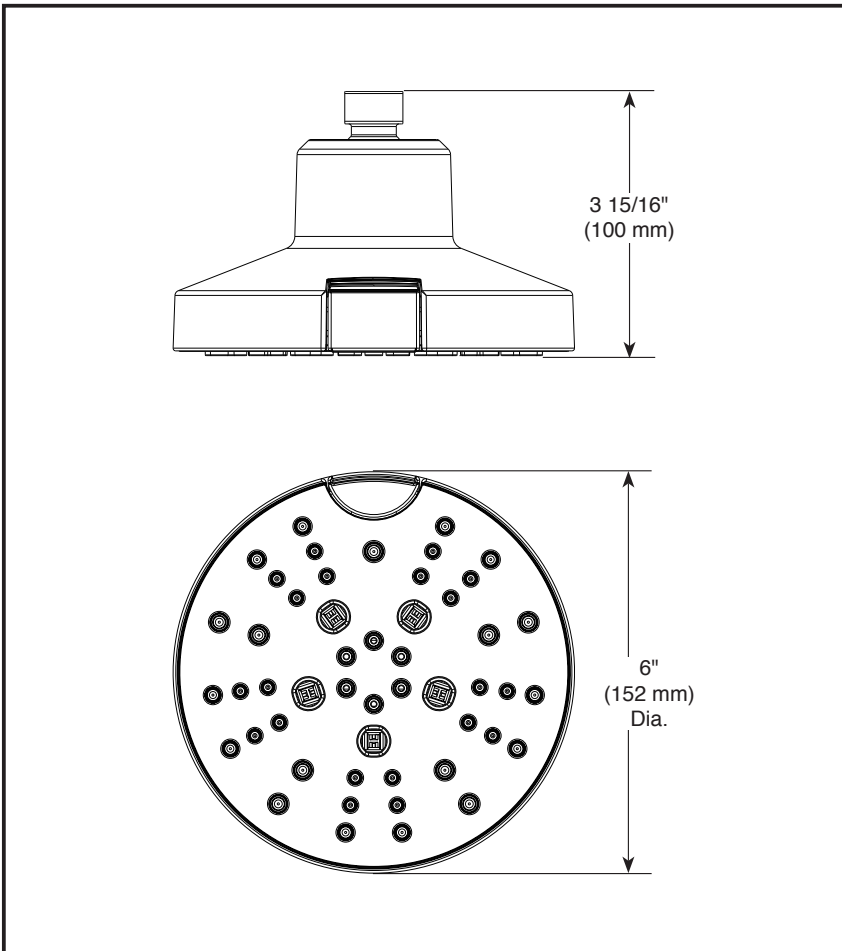
- Touch-Clean® Spray Holes
- H<sub>2</sub>OkineTic® Technology
- Lumicoat® Finish (-PR models only)
- Lumicoat® Finishes easily wipe clean without cleaners and chemicals on the products most commonly touched areas

### STANDARD SPECIFICATIONS:

- Max flow rate 1.75 gpm @ 80 psi, 6.6 L/min @ 550 kPa
- Change spray modes with push button
- Shower head with five spray settings – pause is a non-positive shut-off
- Metal ball connector for durability, easy installation
- Ball connector swivel angle is 44° (22° per side)
- Standard 1/2"-14 NPT pipe fitting
- 5 Spray settings include: H<sub>2</sub>OkineTic® spray, Full Body spray, Full Spray with Massage, Massaging spray and Pause

### WARRANTY:

- Parts and Finish – Lifetime limited warranty; or for commercial purchasers, 10 years for multi-family residential (apartments and condominiums) and 5 years for all other commercial uses, in each case from the date the product is received by the original purchaser or their authorized representative (installation contractor, etc.).
- Please go to [www.deltafaucet.com](http://www.deltafaucet.com) for the complete details of our limited warranty.



▲ Designate Proper Finish Suffix



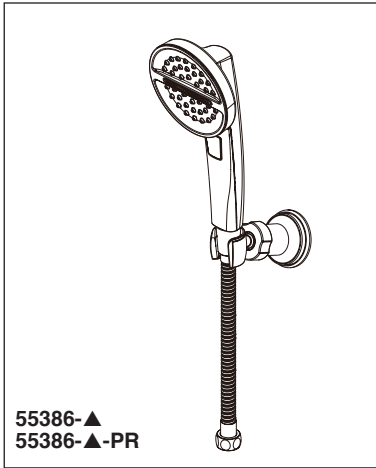
### COMPLIES WITH:

- ASME A112.18.1 / CSA B125.1
- EPA WaterSense®

Delta Faucet Company reserves the right (1) to make changes in specifications and materials, and (2) to change or discontinue models, both without notice or obligation. Dimensions are for reference only. See current full-line price book or [www.deltafaucet.com](http://www.deltafaucet.com) for finish options and product availability.

### Delta Faucet Company

55 E. 111th Street, Carmel, IN 46280  
350 South Edgeware Road, St. Thomas, ON N5P 4L1  
© 2025 Delta Faucet Company



see what Delta can do™

## WALL MOUNT HAND SHOWER

■ 3-Spray Setting Hand Shower

### FEATURES:

- Touch-Clean® Spray Holes
- Lumicoat® Finish (-PR models only)
- Lumicoat® Finishes easily wipe clean without cleaners and chemicals on the products most commonly touched areas

### STANDARD SPECIFICATIONS:

- Max flow rate 1.75 gpm @80 PSI, 6.6 L/min @ 550 kPa
- 60" - 82" (1524 mm - 2083 mm) stretchable metal hose
- Adjustable wall mount for hands-free showering
- Change spray modes with push button
- Push button activates pause – pause is a non-positive shut-off
- Certified dual check valves for backflow prevention
- Ball connector swivel angle is 40° (20° per side)
- Lumicoat® is not applied to the shower hose
- 3 Spray settings include: Full Body spray, Soft Waterfall spray, and Pause

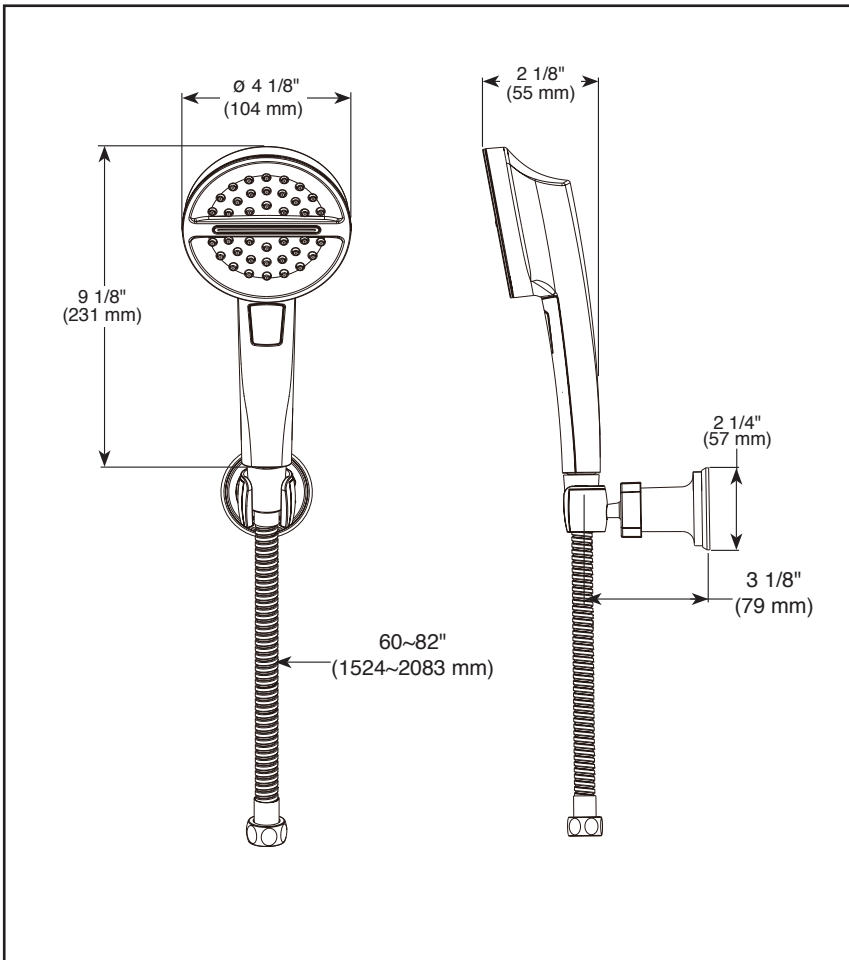
### WARRANTY:

- Parts and Finish – Lifetime limited warranty; or for commercial purchasers, 10 years for multi-family residential (apartments and condominiums) and 5 years for all other commercial uses, in each case from the date the product is received by the original purchaser or their authorized representative (installation contractor, etc.).
- Please go to [www.deltafaucet.com](http://www.deltafaucet.com) for the complete details of our limited warranty.



### COMPLIES WITH:

- ASME A112.18.1 / CSA B125.1♦
  - ASME A112.18.3♦
  - EPA WaterSense®
- ♦ Your Delta hand shower incorporates a backflow protection system that has been tested to be in compliance with ASME A112.18.3 and ASME A112.18.1/CSA B125.1. It incorporates two certified check valves in series, which operate independently and are integral, non-serviceable parts of the wand assembly.



▲ Designate proper finish suffix

Delta Faucet Company reserves the right (1) to make changes in specifications and materials, and (2) to change or discontinue models, both without notice or obligation. Dimensions are for reference only. See current full-line price book or [www.deltafaucet.com](http://www.deltafaucet.com) for finish options and product availability.

DSP-B-55386 Rev. C

### Delta Faucet Company

55 E. 111th Street, Carmel, IN 46280  
350 South Edgeware Road, St. Thomas, ON N5P 4L1  
© 2025 Delta Faucet Company



see what Delta can do™

# MULTICHOICE® UNIVERSAL INTEGRATED SHOWER DIVERTER ROUGH

- R22000 (1/2" CWT or NPT)
- R22000-WS (1/2" CWT or NPT with Stops)
- R22000-MF (Cold EXP)
- R22000-MFWS (Cold EXP with Stops)
- R22000-PX (Crimp PEX)
- R22000-PXWS (Crimp PEX with Stops)

## STANDARD SPECIFICATIONS:

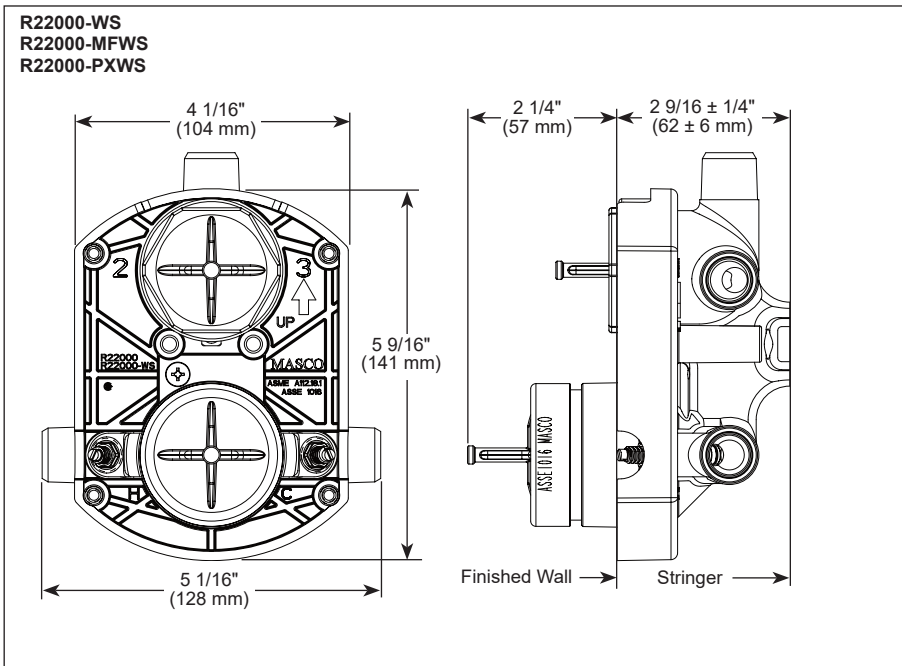
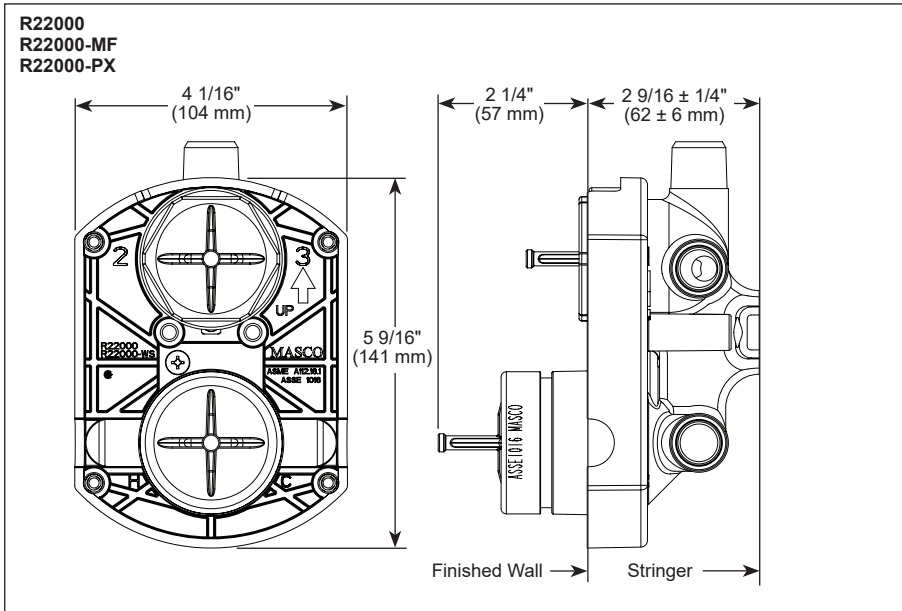
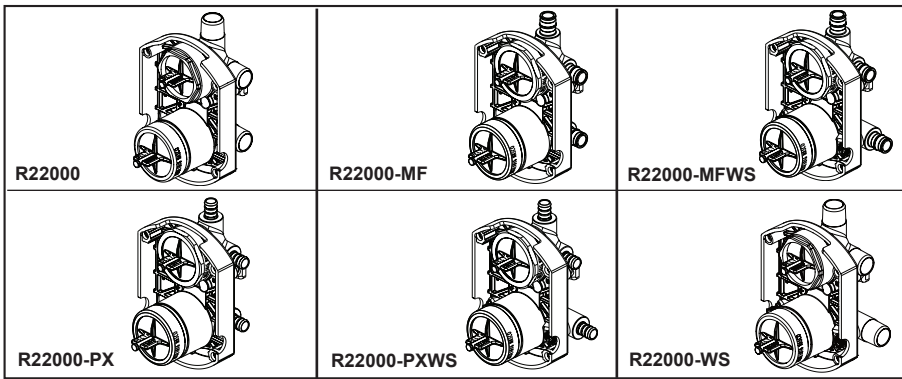
- Forged brass body
  - Back-to-Back installation capabilities
  - Three port diverter.
  - Can be tested with air (200 PSI) or water (300 PSI) without valve using supplied test cap
  - Accepts Delta (3) three or (6) six function diverter cartridges plus all MultiChoice® cartridges.
  - Cartridges ship with trim
  - Non-shared diverter cartridges also available (RP71717 and RP71718)
  - 1/2" outlets and connections
  - Universal type fitting and is 1/2" NPT male thread with 1/2" C.W.T. female sweat (R22000, R22000-WS)
  - Cold expansion type fitting 1/2" PEX (R22000-MF, R22000-MFWS)
  - Crimp type fitting 1/2" PEX (R22000-PX, R22000-PXWS)
  - Standard installation accommodates finished wall thickness up to 1 1/8"
  - Thick wall installation kits can be ordered to allow for up to 2 1/8" finish wall thickness (order by valve type).
  - 14 Series Monitor® with Diverter Trim Extension Kit available (RP90542▲)
  - 17 Series Monitor® with Diverter Trim Extension Kit available (RP90543▲)
  - TempAssure® Thermostatic with Diverter Extension Kit available (RP90544▲)
- Note: Should use proper fitting with each type (copper tubing, iron pipe, and pex fitting)

## WARRANTY

- Parts and Finish - Lifetime limited warranty; or for commercial purchasers, 10 years for multi-family residential (apartments and condominiums) and 5 years for all other commercial uses, in each case from the date the product is received by the original purchaser or their authorized representative (installation contractor, etc.).
- Please go to [www.deltafaucet.com](http://www.deltafaucet.com) for the complete details of our limited warranty.

## COMPLIES WITH:

- ASME A112.18.1/ CSA B125.1



Delta Faucet Company reserves the right (1) to make changes in specifications and materials, and (2) to change or discontinue models, both without notice or obligation. Dimensions are for reference only. See current full-line price book or [www.deltafaucet.com](http://www.deltafaucet.com) for finish options and product availability.

DSP-B-R22000 Rev. E

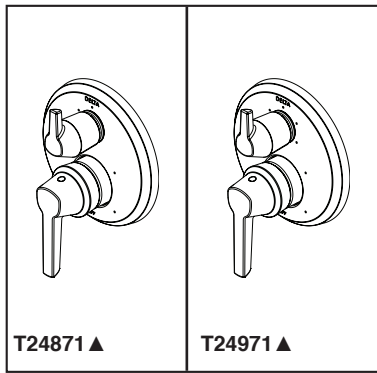
**Delta Faucet Company**  
55 E. 111th Street, Carmel, IN 46280  
350 South Edgeware Road, St. Thomas, ON N5P 4L1  
© 2025 Delta Faucet Company



see what Delta can do™

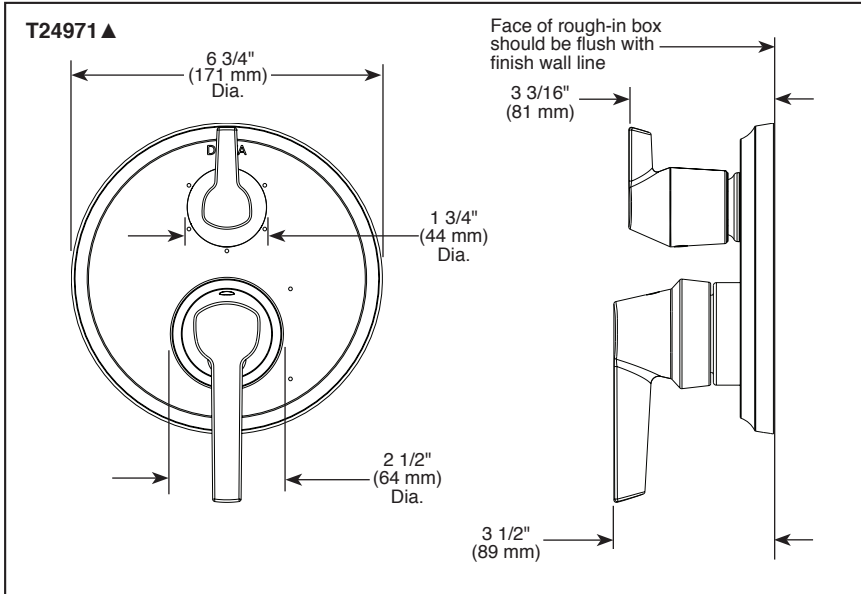
## INTEGRATED SHOWER DIVERTER TRIM

- Galeon™ Valve Trim with Three Function Diverter (T24871)
- Galeon™ Valve Trim with Six Function Diverter (T24971)



Submitted Model No.: \_\_\_\_\_

Specific Features: \_\_\_\_\_



▲ Designate Proper Finish Suffix

### FEATURES:

- Monitor® 14 Series pressure balanced single function bath mixing valve trim
- Three or six function diverter
- Lumicoat™ Finish (brilliance finishes only) on model numbers with "PR"
- Lumicoat™ Finishes easily wipe clean without cleaners and chemicals on the products most commonly touched areas

### STANDARD SPECIFICATIONS:

- Main control utilizes single-function pressure balanced cartridge
- Maintains a balanced pressure of hot and cold water even when a valve is turned on or off elsewhere in the system
- For use with MultiChoice® Universal rough valve body (R22000 Series)
- Top handle controls diverter functions
- Bottom handle controls on/off and temperature
- Field adjustable to limit handle rotation into hot water zone
- Bottom handle 120° Maximum rotation
- Red/Blue indicator markings
- Three function diverter for 2 individual positions, 1 shared position
- For two individual functions, no shared functions, order additional RP71717
- Six function diverter for 3 individual positions, 3 shared positions
- For three individual functions, no shared functions, order additional RP71718
- Cartridges included
- Standard installation allows up to 1 1/8" finished wall thickness
- Thick wall installation kit (RP90542▲) can be ordered to allow for up to 2 1/8" finished wall thickness
- Maximum system flow rate 5.0 gpm at 60 psi with R22000

### WARRANTY

- Parts and Finish - Lifetime limited warranty; or for commercial purchasers, 10 years for multi-family residential (apartments and condominiums) and 5 years for all other commercial uses, in each case from the date of purchase.
- Electronic Parts and Batteries (if applicable) - 5 years from the date of purchase; or for commercial purchasers, 1 year from the date of purchase. No warranty is provided on batteries.

### COMPLIES WITH:

- ASME A112.18.1/ CSA B125.1
- ☐ Indicates compliance to ICC/ANSI A117.1